

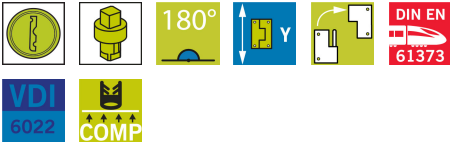
# KLIMA-FLEX LATCH HINGE GEN2



The patented Klima-flex latch hinge is specifically for insulated and pressurized doors. The hinge creates 6 mm compression and allows you to open the doors 180° in either direction, or to remove the door completely.

The safe two-stage opening process allows the cabinet to depressurize before it is fully opened. A distinct click delivers tactile feedback on whether the door is open or closed. For extra stability, mounting bracket is available.

Meets the requirements for sealing level L1 according to DIN EN 1886.



## MATERIAL

**Cylinder:** Zinc die cast, stainless steel 304 cap and dust shutter

**Door part:** Glass fibre reinforced polyamide (PA6GF30)

**Frame part:** Zinc die cast, black powder coated

**Handle:** Glass fibre reinforced polyamide (PA6GF30)

**Insert:** Zinc die cast, black texture powder coated

**Latching cam:** Zinc die cast, black powder coated

**Mounting bracket:** Zinc die cast, zinc plated  
**Pin:** Stainless steel 304

## RELATED PRODUCTS

**Hinges:** 3-156

**Similar products:** 2-317cd

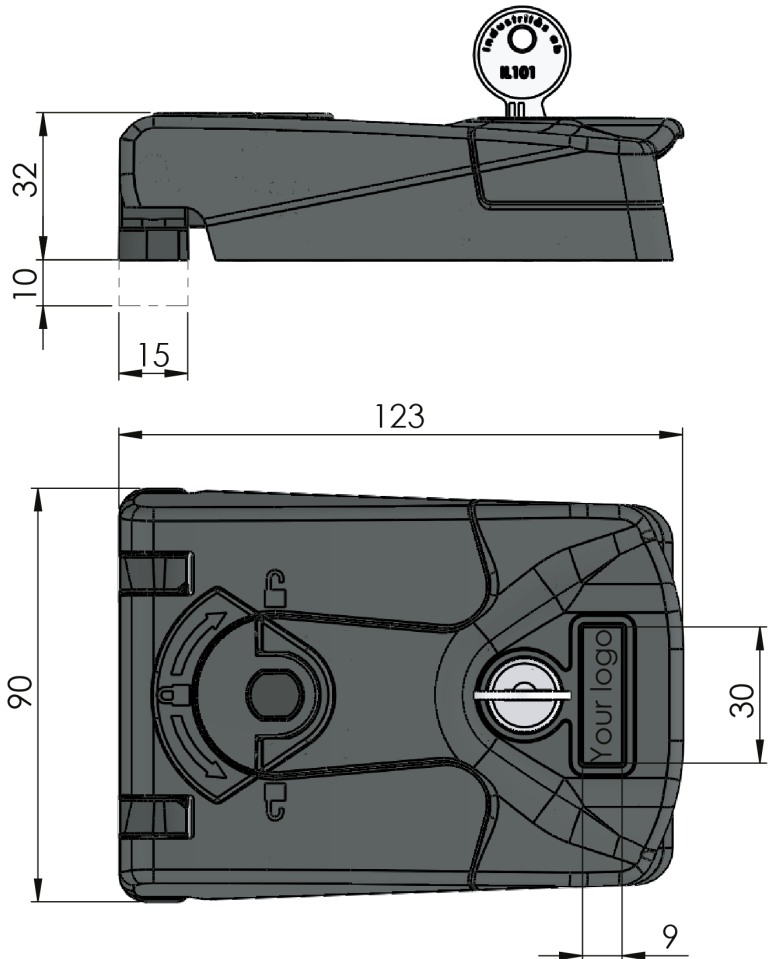
**Keys:** 2-372, 2-380, 2-370

Use the Index Code at [industrilas.com](http://industrilas.com)

## TECHNICAL INFORMATION

**Standards:** DIN EN 61373, VDI 6022

**Cylinder information:** Supplied with two keys



**Make your selections in each column to create your article number (AAAA-BBCCDD-EE)**

| AAAA Type       | BB Type                | CC Frame part offset | DD Insert                    | EE Description            |
|-----------------|------------------------|----------------------|------------------------------|---------------------------|
| 2651 Klima-flex | 44 Latching hinge GEN2 | 00 0 mm              | 00 Non-locking               | 00 Without mounting plate |
|                 |                        | 10 10 mm             | 03 Square 7                  | 01 With mounting plate    |
|                 |                        |                      | 05 Square 8                  |                           |
|                 |                        |                      | 14 Triangle 7                |                           |
|                 |                        |                      | 15 Triangle 8                |                           |
|                 |                        |                      | 22 Double Bit 3              |                           |
|                 |                        |                      | 24 Double Bit 5              |                           |
|                 |                        |                      | 32 Hexagon 11                |                           |
|                 |                        |                      | 34 Recessed hexagon 8        |                           |
|                 |                        |                      | 35 Recessed hexagon 10       |                           |
|                 |                        |                      | 36 Recessed hex 8 / 3 mm pin |                           |
|                 |                        |                      | 80 Keyed alike IL101         |                           |

